

Tall Concrete Bollard

Product: Bollard



NEWCASTLE STREET
FURNITURE

Innovation in bollard design,
safety and stability.

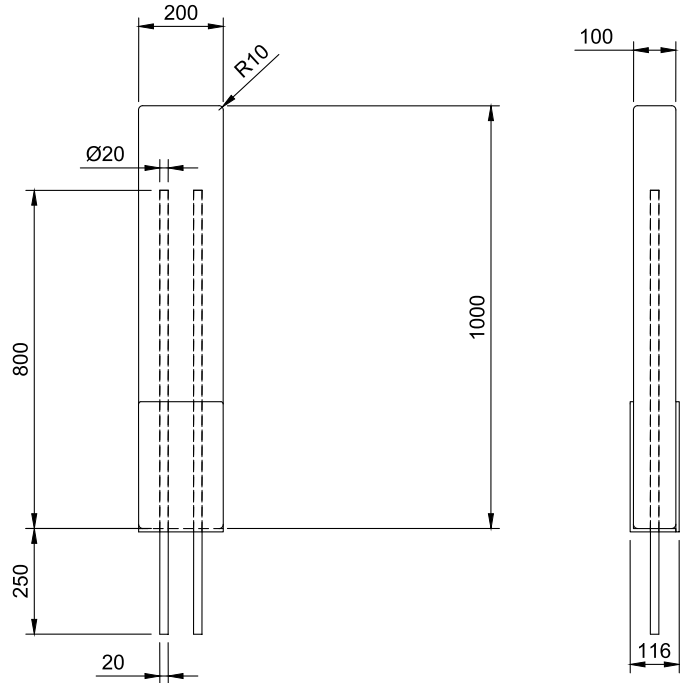
CODE: TBR

DIMENSIONS

200 (L) X 1000(H) X 116(W)

FEATURES

- Mild Steel
- Spotted Gum Batten
- Precast Concrete
- Recycled Composite Batten
- Stainless Options
- Weathered Steel Options
- Powder Coated Finish
- Stainless Steel Fixings
- Surface Mounted
- Australian Made
- Locally Sourced Materials



OPTIONS

- Timber Batten
- Recycled Composite Batten
- Precast Concrete
- Painted Finish
- Sustainability Precast Option

COLOUR OPTIONS

